

SunSniffer RETROFIT

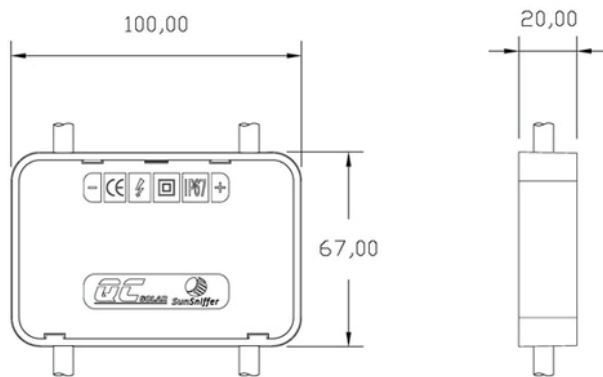
Version H

The heart of the SunSniffer technology for highly accurate detection of module data - easily retrofitted to already installed plants.



The heart of the SunSniffer technology, the Sensor is deployed for module-level monitoring in solar panels. Installed in the special Retrofit housing, it can easily be connected to the modules and assolves the function of telemetry data collection and transmission:

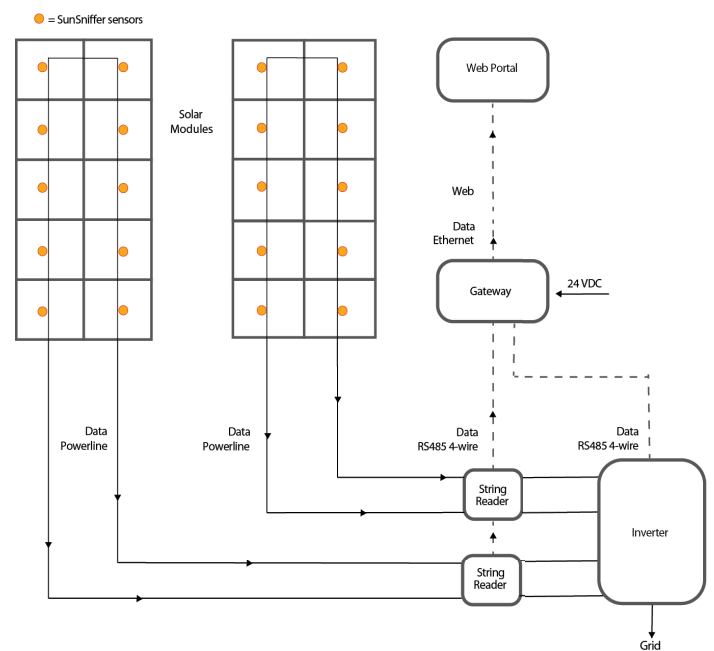
- voltage (V);
- temperature (t°C);
- solar panel serial number.



Picture 2. SunSniffer Retrofit housing specifications



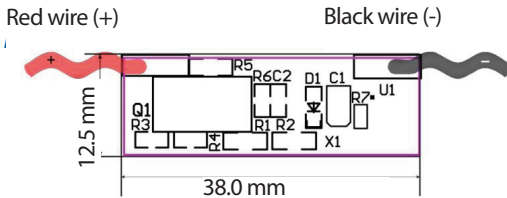
Picture 1 SunSniffer Retrofit



Picture 3. SunSniffer Technology Scheme

SunSniffer RETROFIT

Version H



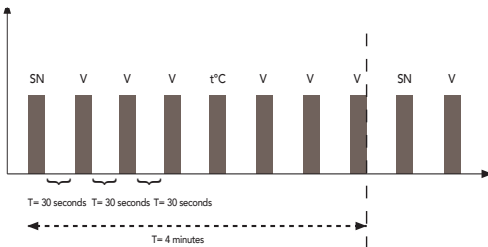
Picture 3. Sensor technical drawing and dimensions

The SunSniffer sensor transmits data with 30 seconds interval.

There are three types of data sent:

- 1) Module full serial number SN;
- 2) Module voltage V; 3) Module Temperature t°C.

The sequence is repeated every 4 minutes.
Please refer to data packet sequence below.



Picture 4. Sequence of data packets

HOUSING TECHNICAL SPECIFICATIONS:

Item	QC0816432
Rated current (J/D)	14.5 A / 30 A
Rated voltage	IEC 1000 V / UL 600 V
Dimensions	100 x 67 x 20 mm
Temperature range	-40°C~ 85 °C
Cable size	4.0 mm ² / 12 AWG
Protection degree	IP 67
Flammability class	5VA
Cable length	5 cm / 90 cm

SENSOR TECHNICAL SPECIFICATIONS:

Working voltage	10 ~ 45 ± 0.2 V
Temperature	-40 ~ + 85 ± 2 °C
Current consumption	≤ 10 mAmp
Serial Number length (SN)	30 bit
Data transmission interval (T), including:	30 ± 0.4 sec
- Temperature transmission interval (T _{Tc})	4 ± 0.4 min
- SP full serial number transmission interval (T _{SNfull})	4 ± 0.4 min
- Voltage transmission interval (T _v)	30 ± 0.4 sec

© SunSniffer GmbH & Co. KG.
Specifications in this datasheet are subject to change without notice.

SunSniffer GmbH & Co. KG
Ludwig-Feuerbach-Str. 69
90489 Nürnberg
Germany

www.sunsniffer.de



SunSniffer[®]