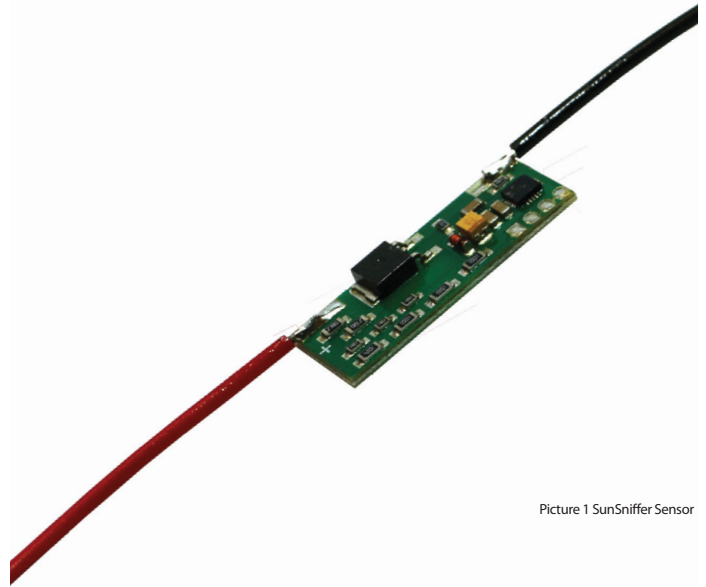


SunSniffer Technology

SunSniffer SENSOR

Version H

The heart of the SunSniffer technology for highly accurate detection of module data.



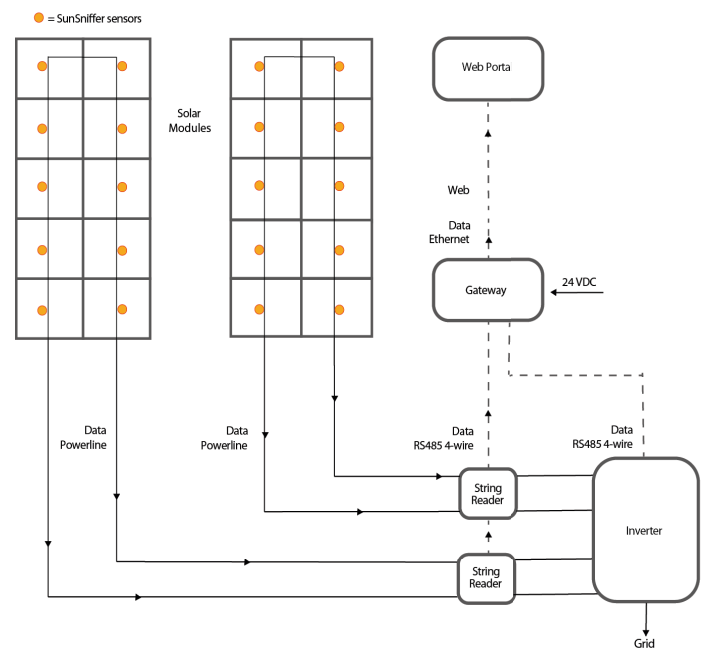
Picture 1 SunSniffer Sensor

The heart of the SunSniffer technology, the Sensor is deployed for module-level monitoring in solar panels. Installed in the junction box, it assumes the function of telemetry data collection and transmission:

- voltage (V);
- temperature ($t^{\circ}\text{C}$);
- solar panel serial number.



Picture 2. SunSniffer Sensor - example of positioning in junction box



Picture 3. SunSniffer Technology Scheme

SunSniffer SENSOR

Version H

TECHNICAL SPECIFICATIONS:

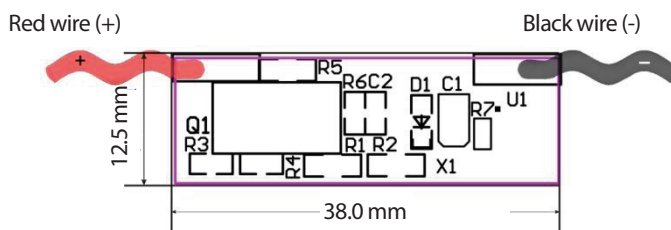
Dimensions (L x W x H)	38.0 x 12.5 x 4 mm
Working voltage	10 ~ 45 ± 0.2 V
Temperature	-40 ~ + 85 ± 2 °C
Current consumption	≤ 10 mAmp
Serial Number length (SN)	30 bit
Data transmission interval (T), including:	30 ± 0.4 sec
- Temperature transmission interval (T _{TC})	4 ± 0.4 min
- SP full serial number transmission interval (T _{SNfull})	4 ± 0.4 min
- Voltage transmission interval (T _v)	30 ± 0.4 sec

INSTALLATION:

The sensor is easily installed:

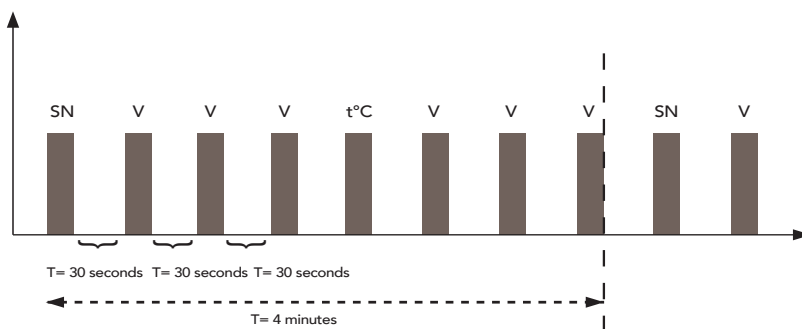
Red wire has to be connected to module + terminal

Black wire has to be connected to module - terminal.



Picture 4. Sensor technical drawing and dimensions

The SunSniffer sensor transmits data with 30 seconds interval. There are three types of data sent: 1) Module full serial number SN; 2) Module voltage V; 3) Module Temperature t°C. The sequence is repeated every 4 minutes. Please refer to data packet sequence below.



Picture 5. Sequence of data packets

© SunSniffer GmbH & Co. KG.
Specifications in this datasheet are subject to change without notice.